

## Specifications

# SMART Board® interactive whiteboard system

Model SB880i6

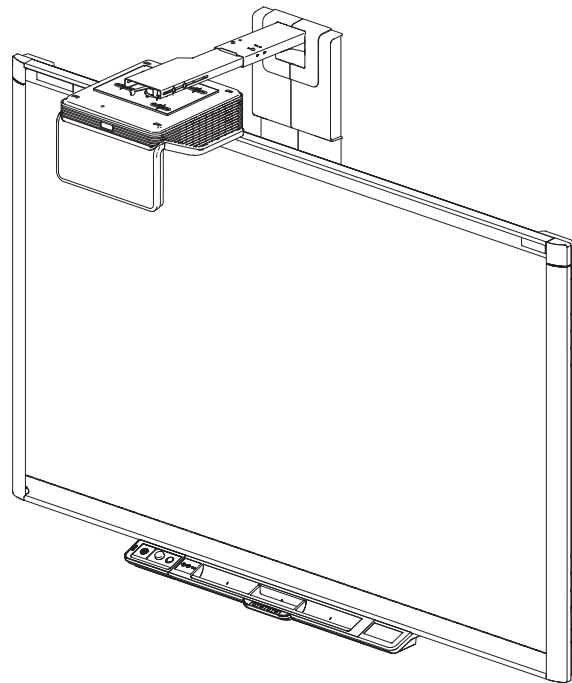
## Overview

Your SMART Board 880i6® interactive whiteboard system combines the use of a SMART Board 800 series interactive whiteboard and a SMART UF70 projector along with other accessories and optional equipment.

The SMART UF70 projector provides an ultra-bright high resolution image on a short boom delivering high definition, high performance interactivity that is virtually shadow-free and glare-free. You can do everything you can do at your computer—open and close applications, meet with others, create new documents or edit existing ones, visit websites, play and manipulate video clips and more— just by touching the interactive surface. Four users can draw on the interactive surface at the same time, and you can use an array of gestures within applications.

The SB880i6 system supports video and audio from a variety of devices including DVD and Blu-ray™ players, document cameras, and other high-definition sources, and is displayed on the interactive screen. All HDMI 1.4 inputs are HDCP compliant

See [smarttech.com](http://smarttech.com) for more information on this product.

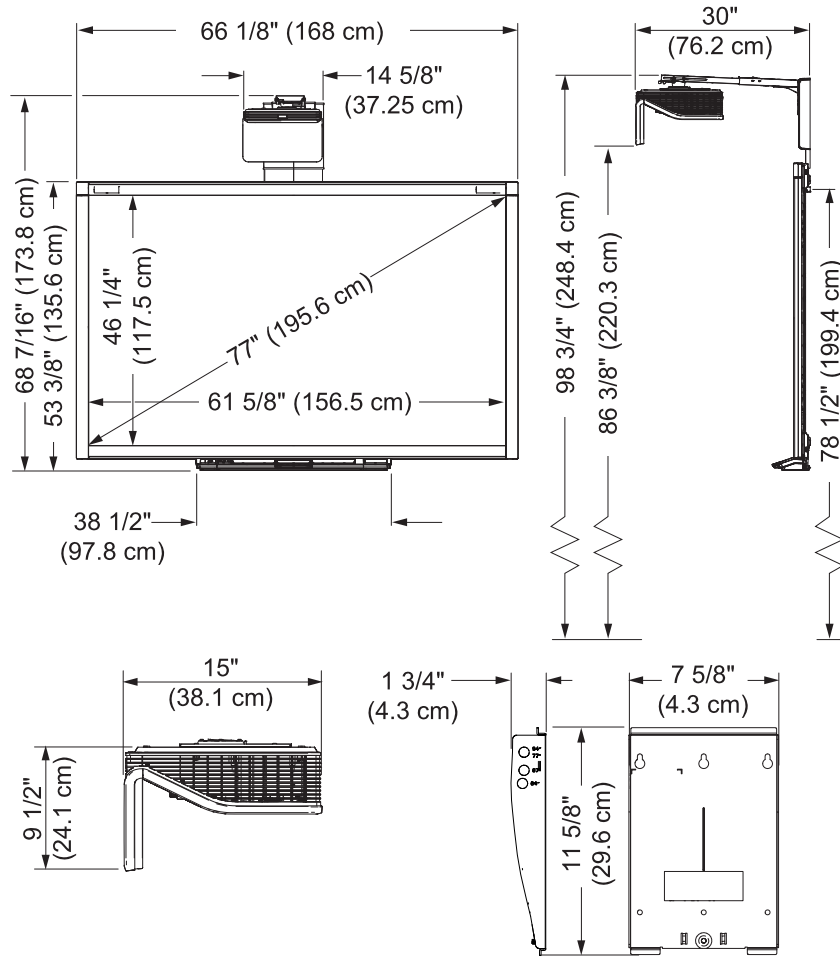


## SPECIFICATIONS

SMART Board® interactive whiteboard system – Model SB880i6

### Dimensions and weights<sup>1</sup>

#### Dimensions



### SMART Board 880 interactive whiteboard

#### Weight

52 lb. (23.6 kg)

#### Shipping dimensions

4 3/8" W × 56 3/4" H × 75 3/4" D  
(11.1 cm × 144.1 cm × 192.4 cm)

#### Shipping weight

76 lb. (34.5 kg)

### SMART UF70 projector

#### Weight (projector only)

16.7 lbs (7.6 Kg)

#### Weight (projector + boom)

28.4 lbs (12.9 Kg)

#### Shipping weight

35.8 lbs. ( kg)

#### Shipping dimensions

20" W × 15 1/2" H × 24" D  
(50.8 cm × 39.4 cm × 61 cm)

#### Projector dimensions

14 5/8" W × 9.1/2" H × 30" D  
(37.1 cm × 24.1 cm × 76.2 cm)

### Extended control panel (ECP)

#### Dimensions

6 5/8" W × 2 1/8" H × 4 5/8" D  
(16.8 cm × 5.5 cm × 11.9 cm)

#### Weight

5.7 lbs. (2.6 kg)

#### Shipping dimensions

16 1/2" W × 14" H × 3" D  
(41.9 cm × 35.6 cm × 7.6 cm)

### Remote control

#### Dimensions

1 5/8" W × 3 3/8" H × 1/4" D  
(4.1 cm × 8.6 cm × 0.6 cm)

<sup>1</sup>All dimensions ± 1/8" (0.3 cm). All weights ± 2 lb. (0.9 kg).

## Hardware

### Projector

|                                      |  |
|--------------------------------------|--|
| <b>Brightness (standard)</b>         | 3000 lumens 230 W mode at a CCT of 6500 K by the IEC method  |
| <b>Brightness (economy)</b>          | 2250 lumens 190 W mode. at a CCT of 6500 K by the IEC method   |
| <b>Native resolution</b>             | XGA 1024 x 768   |
| <b>Aspect ratio</b>                  | 4:3 with support for 16:9, 16:10 and 5:4 with scaling.   |
| <b>Throw ratio</b>                   | Short throw 0.43:1 ratio   |
| <b>Throw distance</b>                | 27" (68.4cm)   |
| <b>Display technology</b>            | The projection engine uses DLP® technology by Texas Instruments™, providing BrilliantColor™ performance and quality Gamma 2.2 correction with Bright Room, Dark Room, sRGB, User and SMART Presentation modes. |
| <b>Lamp life</b>                     | 2500 hours in Standard 230 W mode. 4000 hours in Economy 190 W mode.   |
| <b>Integrated loud speaker</b>       | 9 W rms  |
| <b>Projector noise</b>               | 32 dBA standard fan speed / 37 dBA high speed fan speed  |
| <b>Contrast ratio (typical)</b>      | 2900:1   |
| <b>Video system compatibility</b>    | HDTV (720p and 1080p) video system compatibility and HD Ready (HDMI technology and 720p) available, NTSC, NTSC 4:43, PAL, PAL-N, PAL-M and SECAM (480i/p and 576i/p)   |
| <b>Video interface compatibility</b> | HDCP compliant HDMI, Composite, VESA® RGB with additional interface support for Component YPbPr and Component YCbCr inputs with the proper adapters (not included)   |
| <b>Horizontal frequency</b>          | 15kHz–72 kHz   |
| <b>Vertical frequency</b>            | 15Hz–75 Hz   |
| <b>Clock frequency</b>               | 165 Mhz  |
| <b>External management</b>           | IR Remote, RS232 control port, internal web page, Crestron® RoomView® management via Ethernet  |



### Interactive whiteboard

|                              |   |
|------------------------------|---|
| <b>Touch resolution</b>      | 4000 × 4000   |
| <b>Touch and gestures</b>    | <p>Users can interact with the interactive whiteboard using the included pens or other objects or by using their fingers to write, erase and perform mouse functions.</p> <p>The Object Awareness feature enables you to pick up a pen, and then write, select or erase without replacing the pen. This interactive whiteboard also features gesture capability, providing a natural and flexible way to interact with content.</p> |
| <b>Digitizing technology</b> | Four-camera DVIT® (Digital Vision Touch) technology with steel coated dry erase surface   |

## SPECIFICATIONS

SMART Board® interactive whiteboard system – Model SB880i6

|   |   |
|---|---|
| <b>Pen tray</b>                             | Optical sensors in the pen tray detect when you lift a pen or eraser from the tray. Color buttons on the pen tray enable you to select pen color.         |
| <b>Accessories</b>                          | Two ergonomic pens with comfort grip and rectangular eraser   |
| <b>Extended Control Panel (ECP)</b>         | SB880i6 - included with the system, not pre-attached to the pen tray  |
| <b>Included cables and hardware SB880i6</b> | 14' 9" (4.5 m) power cable<br>Infrared remote control<br>16' 5" (5 m) USB cable<br>13' 5.5" (4.1 m) 3.5 mm stereo audio cable<br>Projector wiring harness |
| <b>Theft protection</b>                     | Projector system padlock ring<br>SB800 system - Kensington security slot  |

## Connectors

|                             |   |
|-----------------------------|---|
| <b>Projector connectors</b> | 3.5 mm phone jack audio input<br>3.5 mm phone jack audio output<br>DB15F RGB VGA video input n(VGA In)<br>DB15F RGB VGA video input n(VGA Out)<br>DB9F RS-232 control port<br>HDMI 1.4 input<br>Power (100V–240V AC at 50 Hz–60 Hz)<br>USB-B port - for service use only<br>RJ45 - Ethernet connector<br>7-pin mini-DIN for ECP data<br>4-pin mini-DIN 5V/2A output for ECP USB HUB/switch power<br>RCA analog audio and composite video (red, white and yellow)<br>Microphone 3.5 mm |
| <b>ECP connectors</b>       | RJ11 6-wire internal pen tray connection<br>11-pin connects to projector wiring harness<br>4-pin room control system via SB8-CTRL adapter cable<br>USB-B connects to bottom of pen tray<br>USB mini-Type B (x2) primary and secondary computer connections<br>USB Type A for USB Drive or memory stick  |

## Computer requirements

|                |   |
|----------------|---|
| <b>SB880i6</b> | Windows® operating system or Mac operating system software and SMART Notebook software installed. For a complete list of computer requirements, go to <a href="http://Smarttech.com/downloads">Smarttech.com/downloads</a> and browse to the latest SMART Notebook release notes applicable to your operating system. |
|----------------|---|

## Storage and operating requirements

|   |                             |
|---|-----------------------------|
| <b>Power requirements and consumption</b> | 100V–240V AC at 50 Hz–60 Hz |
|---|-----------------------------|

|                               |  |
|-------------------------------|--|
| <b>Full mode</b>              | 360 W  |
| <b>ECO mode</b>               | 360 W  |
| <b>Standby mode</b>           | 0.5 W  |
| <b>Operating temperature</b>  |  |
| <b>Interactive whiteboard</b> | 41°F to 95°F (5°C to 35°C) from 0' to 6000' (0 m to 1800 m)<br>41°F to 86°F (5°C to 30°C) from 6000' to 9800' (1800 m to 3000 m)                             |
| <b>Projector</b>              | Standard speed: 41°F to 95°F (5°C to 35°C) from 0' to 6000' (0 m to 1800 m)<br>High speed: 41°F to 86°F (5°C to 30°C) from 6000' to 6800' (1800 m to 2100 m) |
| <b>Storage temperature</b>    | -4°F (-20°C) to 122°F (50°C)   |
| <b>Humidity</b>               | Up to 80% storage relative humidity, non-condensing<br>Up to 80% operating relative humidity, non-condensing   |

## Certification and compliance

|                                 |  |
|---------------------------------|--|
| <b>Regulatory certification</b> | CE, CB, CCC, CE, C-Tick, FCC, KC, GOST-R, NOM, PSB, PSE, TUV-GS, UL/CSA (US/Canada) and VCCI |
| <b>Environmental compliance</b> |  |
| <b>China</b>                    | EIP  |
| <b>European Union</b>           | REACH, RoHS, WEEE, Battery, Packaging and ErP Standby  |
| <b>U.S.</b>                     | Packaging and Conflict Minerals  |

## Warranty

|                               |  |
|-------------------------------|--|
| <b>Interactive whiteboard</b> | Two-year limited equipment warranty OR<br>Five-year limited equipment warranty upon registration |
| <b>Projector</b>              | Two-year limited equipment warranty  |
| <b>Projector lamp</b>         | 1000-hour/one-year warranty  |
| <b>ECP</b>                    | Two-year limited equipment warranty  |

## Purchasing information

|                      |   |
|----------------------|---|
| <b>Order numbers</b> |   |
| <b>SB880i6</b>       | 77" (195.6 cm) diagonal SMART Board interactive whiteboard with a SMART UF70 projector system. Includes a SMART Notebook software installation DVD. |
| <b>1020991</b>       | Replacement lamp for SMART UF70 / UF70w projectors  |
| <b>1013576</b>       | Projector hardware kit <a href="http://smarttech.com/kb/160505">smarttech.com/kb/160505</a>   |

## SPECIFICATIONS

SMART Board® interactive whiteboard system – Model SB880i6

### Optional extended warranty

---

|                    |  |
|--------------------|--|
| <b>(EWY2-UF70)</b> | UF70 two year warranty extension<br>(available at time of projector purchase only) |
|--------------------|--|

---

|                             |  |
|-----------------------------|--|
| <b>Optional accessories</b> | See <a href="http://smarttech.com/accessories">smarttech.com/accessories</a> |
|-----------------------------|--|

---

[smarttech.com/support](http://smarttech.com/support)  
[smarttech.com/contactsupport](http://smarttech.com/contactsupport)

© 2013 SMART Technologies ULC. All rights reserved. SMART Board, smarttech, the SMART logo and all SMART taglines are trademarks or registered trademarks of SMART Technologies ULC in the U.S. and/or other countries. All third-party product and company names may be trademarks of their respective owners. This product and/or use thereof covered by one or more of the following U.S. patents. [www.smarttech.com/patents](http://www.smarttech.com/patents). Contents are subject to change without notice. 06/2013.